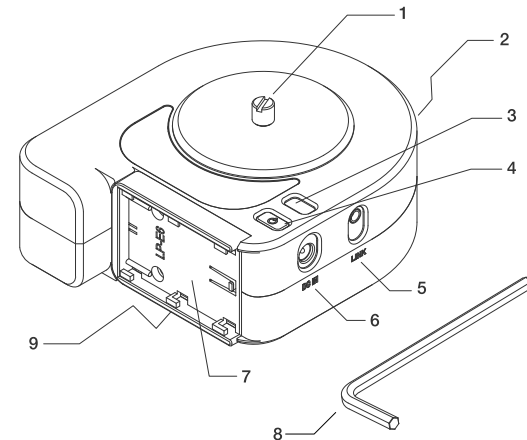
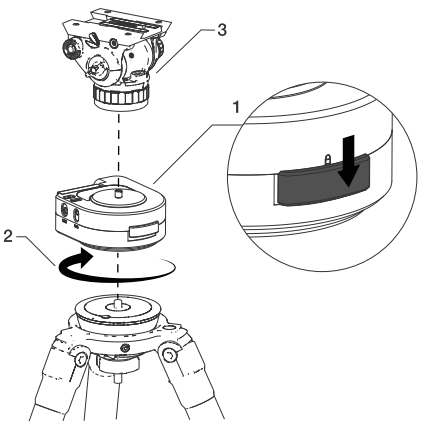


## 1. WHAT'S IN THE BOX & THE BASICS



- |                           |                       |
|---------------------------|-----------------------|
| 1. 3/8"-16 Mounting Screw | 6. DC IN Socket       |
| 2. Safety Lock            | 7. Battery Bracket    |
| 3. Information Screen     | 8. 3 mm Allen key     |
| 4. On/Off Button          | 9. 3/8" Mounting Port |
| 5. Link Port              |                       |

## 2. ATTACHING PAN PRO TO YOUR TRIPOD

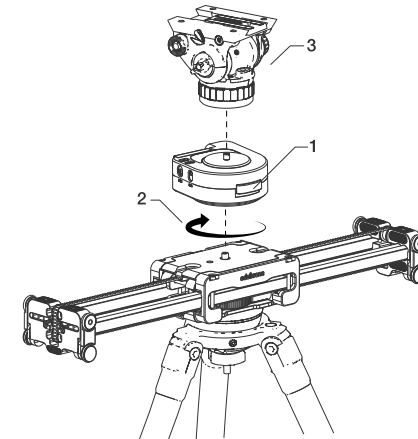


1. Lock the safety lock to prepare Pan Pro for attaching.
2. Attach your Pan Pro on your tripod by rotating it clockwise.
3. Attach your tripod head to 3/8"-16 mounting port on Pan Pro.
4. Unlock the safety lock and Pan Pro ready for use.

! Make sure you locked the safety lock when you carrying the setup.

 A detailed video explaining how to attach Pan Pro to your tripod can be found at: <http://edel.kr/pnpr>

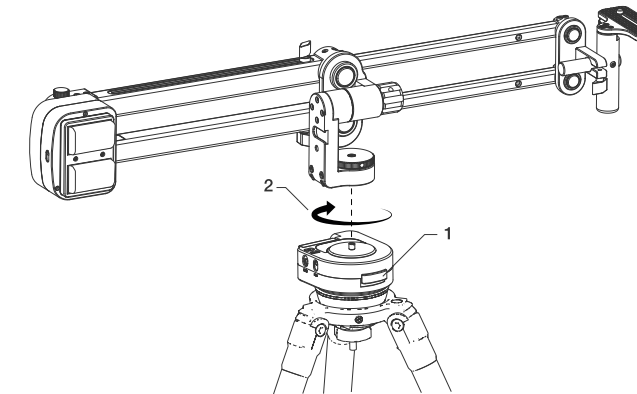
## 3. ATTACHING PAN PRO TO SLIDERS



1. Lock the safety lock to prepare Pan Pro for attaching.
2. Attach your Pan Pro on your SliderPLUS by rotating clockwise.
3. Attach your tripod head to 3/8"-16 mounting port on Pan Pro.
4. Unlock the safety lock and Pan Pro ready for use.

 A detailed video explaining how to attach Pan Pro to SliderPlus can be found at: <http://edel.kr/pnpr>

## 4. ATTACHING PAN PRO TO JIBONE



1. Lock the safety lock to prepare Pan Pro for attaching.
2. Attach your JibONE on your Pan Pro by rotating wheel clockwise.
3. Unlock the safety lock and Pan Pro ready for use.

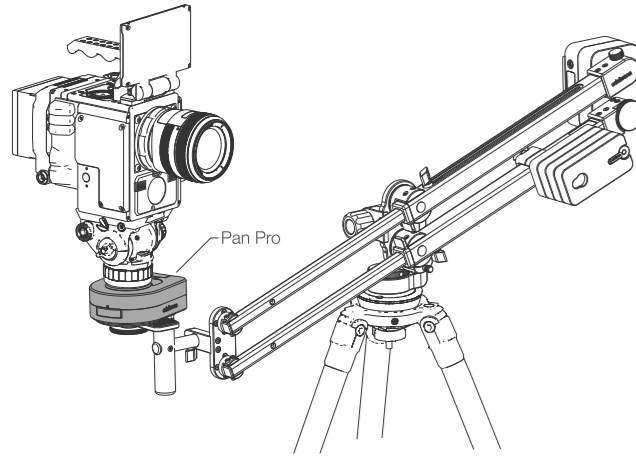
 A detailed video explaining how to attach Pan Pro to JibONE can be found at: <http://edel.kr/pnpr>

## TABLE OF CONTENTS

1. WHAT'S IN THE BOX & THE BASICS
2. ATTACHING PAN PRO TO YOUR TRIPOD
3. ATTACHING PAN PRO TO SLIDERS
4. ATTACHING PAN PRO TO JIBONE
5. ALTERNATIVE PAN PRO SETUP FOR JIBONE
6. LOADING BATTERY & ON/OFF
7. MANUAL TENSION ADJUSTMENT OF PAN PRO
8. START USING

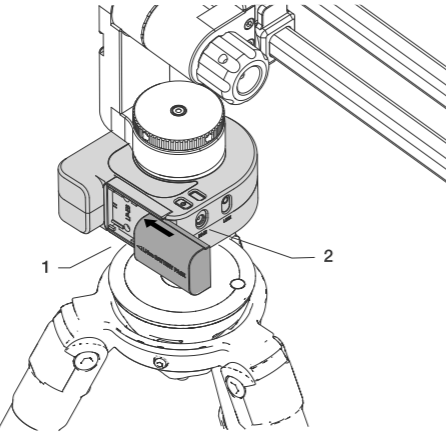


## 5. ALTERNATIVE PAN PRO SETUP FOR JIBONE



▶ For more information and tips about your Pan Pro, please watch the user's manual videos at: <http://edel.kr/pnpr>

## 6. LOADING BATTERY & ON/OFF



1. Attach your LP-E6 Battery onto Battery Bracket by sliding it left.
2. You can also use DC IN socket to power up your Pan Pro. DC IN socket is the priority when DC IN and LP-E6 Battery are attached.
3. To turn on and turn off the Pan Pro, hold On/Off button down until the opening bar in the information screen is full-filled.

! DC IN socket does not charge the LP-E6 Battery.

▶ A detailed video explaining how to loading battery can be found at: <http://edel.kr/pnpr>

## 7. MANUAL TENSION ADJUSTMENT OF PAN PRO



If you see **"Failed to Move"** warning on edelkrone App when trying to operate Pan Pro;

1. Lock the safety lock and disassemble Pan Pro from your setup.
2. Tighten the manual tension screw with 3 mm allen key from bottom of Pan Pro as shown above.
3. Reassemble Pan Pro with your setup, release the safety lock and try to operate.
4. Keep trying first 3 steps until you get no warning.

! Make as little adjustments as possible.

! Heavier setups need more tightness.

! Overtightening this adjustment screw effects manual operating. Please be sure you are still able to operate manually. Hand control gives faster setup time while setting your keyposes & targets.

▶ A detailed video explaining how to adjust manual tension can be found at: <http://edel.kr/pnpr>

## 8. START USING



1. Download the edelkrone App to your mobile device from the App Store or Google Play. Links can be found at [www.edelkrone.com/products/pan-pro](http://www.edelkrone.com/products/pan-pro)
2. To operate Pan Pro, hold On/Off button down until the opening bar in the information screen is full-filled.
3. Pan Pro is now ready for smart pairing or manual pairing through Bluetooth/Wifi.
4. After pairing the devices, you are now ready to use your Pan Pro. Just keep following the instructions on your mobile device or visit [manuals.edelkrone.com](http://manuals.edelkrone.com) for a detailed video instruction.

! Always start using with fully charged batteries.

! Make sure your mobile device's Bluetooth connection is on.

▶ A detailed video explaining the edelkrone App can be found at: <http://edel.kr/pnpr>

## DISPOSAL OF THE PRODUCT & WARNINGS



Should the product become damaged beyond repair, or if you wish to dispose of it, it must be disposed separately from the municipal waste stream via designated collection facilities appointed by the government or the local authorities. Observe the regulations of your area and country that relate to the disposal of electronic products.

- \* Keep your electronic Motion Control Unit away from all sorts of liquids.
- \* In order to preserve your Motion Control Unit and battery performance at their best, use the exact same type of batteries with an equivalent level of charge during dual-battery operation.
- \* Do not attempt to disassemble or modify any internal parts of your Motion Control Unit. If the device appears to be malfunctioning, discontinue use immediately and contact support for qualified service.
- \* Never force a different type of connector into a port.
- \* Never use or store your Motion Control Unit in areas subject to extreme temperatures, or high levels of vibration.
- \* If your motion control unit becomes unresponsive, disconnect and re-connect the power source. Make sure your DC adapter is plugged in or your batteries are properly charged. If the problem persists, contact our support team.
- \* Environmental factors may affect your Motion Control Unit's performance. Keep your product away from environmental hazards such as dust or heavy resonance. Do not use chemical materials to clean your product.
- \* Only use included battery plate, DC adapter or equivalent power sources. Use of an inappropriate power source may permanently damage your Motion Control Unit.
- \* If there is an impairment on the power or connector cable, stop using the Motion Control Unit immediately.
- \* Avoid dropping or causing physical damage to your Motion Control Unit.
- \* Do not place heavy objects on top of your Motion Control Unit.
- \*\*edelkrone cannot be held responsible for damage caused by improper use or modification of the product.
- \* Rated Voltage: 7.4V-14.8V (7.4V LP-E6 Battery / AC-DC Adapter) Rated Current: 2A  
Operating Temperature: -5°C to +45°C

▶ For more information and tips about your Pan Pro, please watch the user's manual videos at: <http://edel.kr/pnpr>

# PAN PRO

## USER'S MANUAL

Before operating your edelkrone, please watch the user's manual video from the link below

<http://edel.kr/pnpr>



edelkrone  
filmmaking solutions